

GX-A/GF-A Series Options External Interface

INSTRUCTION MANUAL

GXA-23-PRINT	With a PRINT foot switch
GXA-23-REZERO	With a REZERO foot switch
GXA-23-PLUG	For incorporating into a system
GXA-26	External IR switch

© 2017 A&D Company, Limited. All rights reserved.

No part of this publication may be reproduced, transmitted, transcribed, or translated into any language in any form by any means without the written permission of A&D Company, Limited.

The contents of this manual and the specifications of the instrument covered by this manual are subject to change for improvement without any notice and obligation on the part of the manufacturer.



1. Introduction

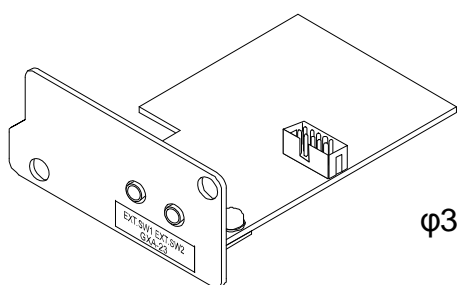
This manual describes how to use the GXA-23 and GXA-26 optional interfaces for the GX-A and GF-A series balances and how to get the most out of them in terms of performance. Read this manual thoroughly before using the options and keep it at hand for future reference.

2. Components

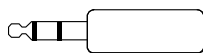
The GXA-23 (three types are available) and the GXA-26 each consists of an option board and either a switch or a plug. The switch or the plug can be used to operate the balance in the same way as the **PRINT** key or the **RE-ZERO** key located on the balance. Depending on the board type, a dedicated foot switch, an external contact input terminal (terminal for actual wiring) or an external IR switch is provided as shown in the table below:

Type	Components	Quantity
GXA-23-PRINT	Option board	1
	Foot switch AX-SW137-PRINT	1
GXA-23-REZERO	Option board	1
	Foot switch AX-SW137-REZERO	1
GXA-23-PLUG	Option board	1
	φ3.5 mm 3-pole stereo plug	3
GXA-26	Option board	1
	External IR (touchless) switch	1

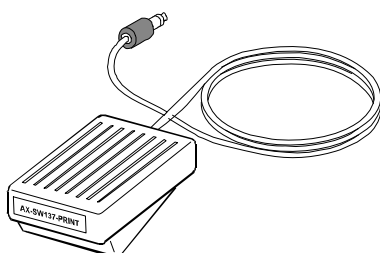
GXA-23



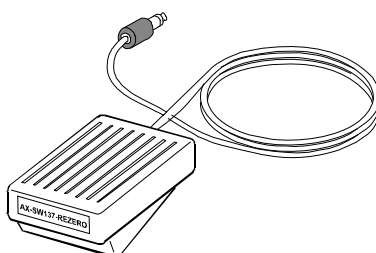
φ3.5 mm 3-pole stereo plug



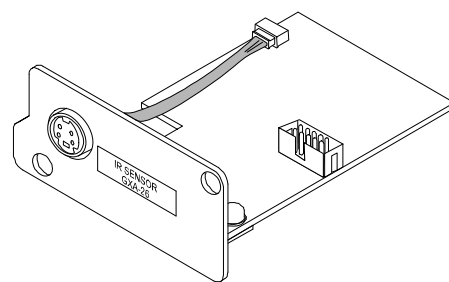
Foot switch (PRINT)/Black



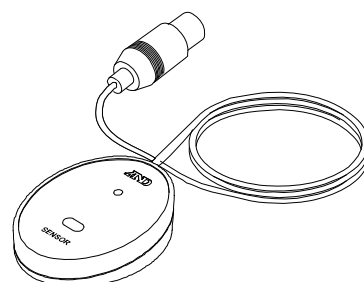
Foot switch (REZERO)/Red



GXA-26



External IR switch

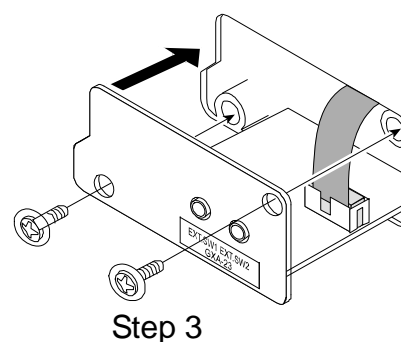
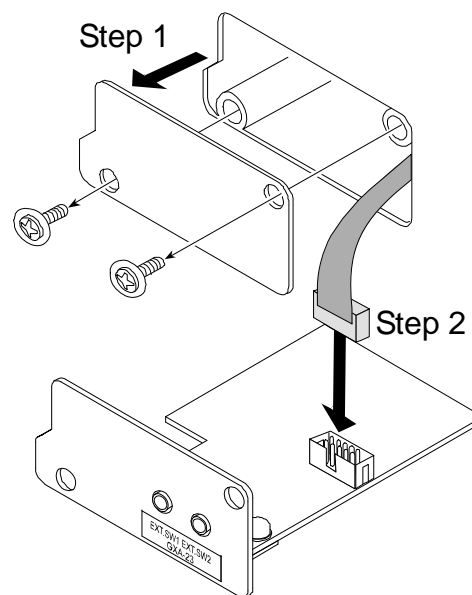


3. Installing the Option Board

Step 1. Remove the two screws, and then remove the option panel from the rear of the balance.

Step 2. Peel off the connector that is secured to the panel with double-sided tape and insert it into the socket on the option board.

Step 3. Attach the option board to the balance. Secure the board with the two screws removed in step 1.



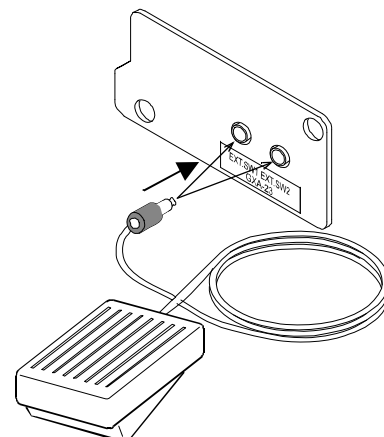
4. How to Use the GXA-23

4.1. GXA-23-PRINT and GXA-23-REZERO

Connect the plug of the foot switch to either jack on the option board panel.

Connecting the plug of the PRINT foot switch enables the switch to perform in the same way as the **PRINT** key. Connecting the plug of the REZERO foot switch enables the switch to perform in the same way as the **RE-ZERO** key.

- Either of the jacks can be used because the wiring inside the plug determines the function.
- The balance function setting is not used.

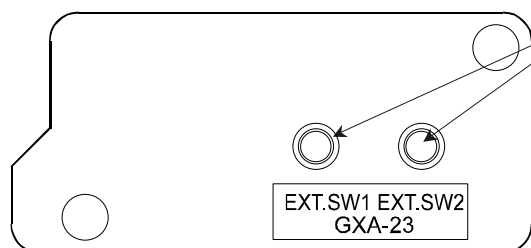


4.2. GXA-23-Plug

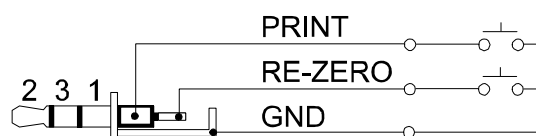
External contact input terminal

Compatible plug: $\phi 3.5$ mm 3-pole stereo plug
MP-013LC or the equivalent

Panel view

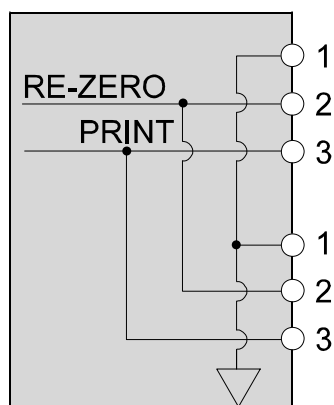


External contact input x 2



Example of external contact input terminal

External contact input circuit



Pin assignments

Pin No.	Description	
1	GND	
2	RE-ZERO	External contact input
3	PRINT	External contact input

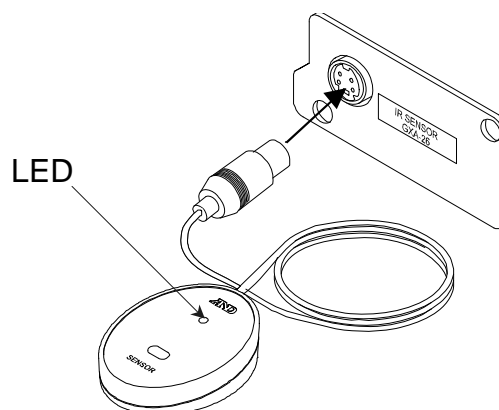
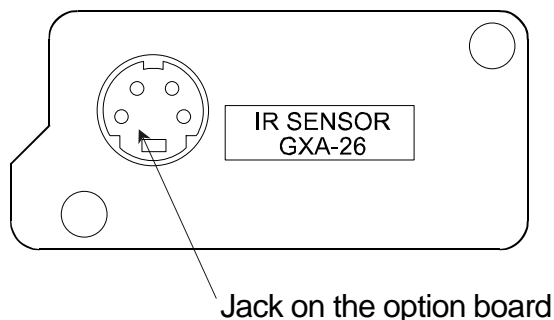
When pin 1 and pin 3 or pin 1 and pin 2 are shorted 100 ms or longer, the switch can operate the balance in the same way as the balance **PRINT** key or the **RE-ZERO** key, respectively.

- AX-SW137-PRINT or AX-SW137-REZERO (optional foot switches sold separately) can be used.

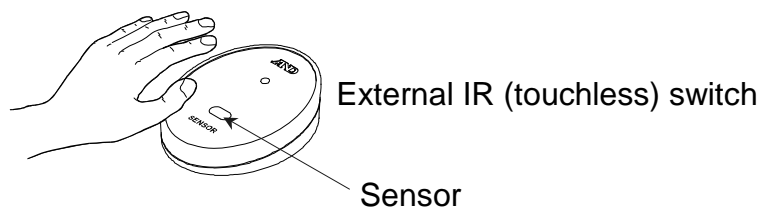
5. How to Use the GXA-26

Step 1. Connect the plug of the external IR (touchless) switch to the jack on the option board panel. When the connection is completed properly, the LED on the external IR switch illuminates.

Panel view



Step 2. Move your hand close to the sensor on the external IR switch to operate the balance in the same way as the **PRINT** key or the **RE-ZERO** key located on the balance. The PRINT or RE-ZERO key function can be assigned to the external IR switch in the balance function setting.



- Place your hand about 5 cm above the sensor to activate the external IR switch.

Function table when the external IR (touchless) switch is connected

Class	Item	Parameter	Description
EX SW External IR switch	E-5 Function selection	▪ 0	RE-ZERO key Assigns the function of the balance RE-ZERO key.
		1	PRINT key Assigns the function of the balance PRINT key.

- Factory setting

- The sensitivity of the external IR switch can be changed in the balance function setting.
- The balance function setting procedure will be explained on the following pages.

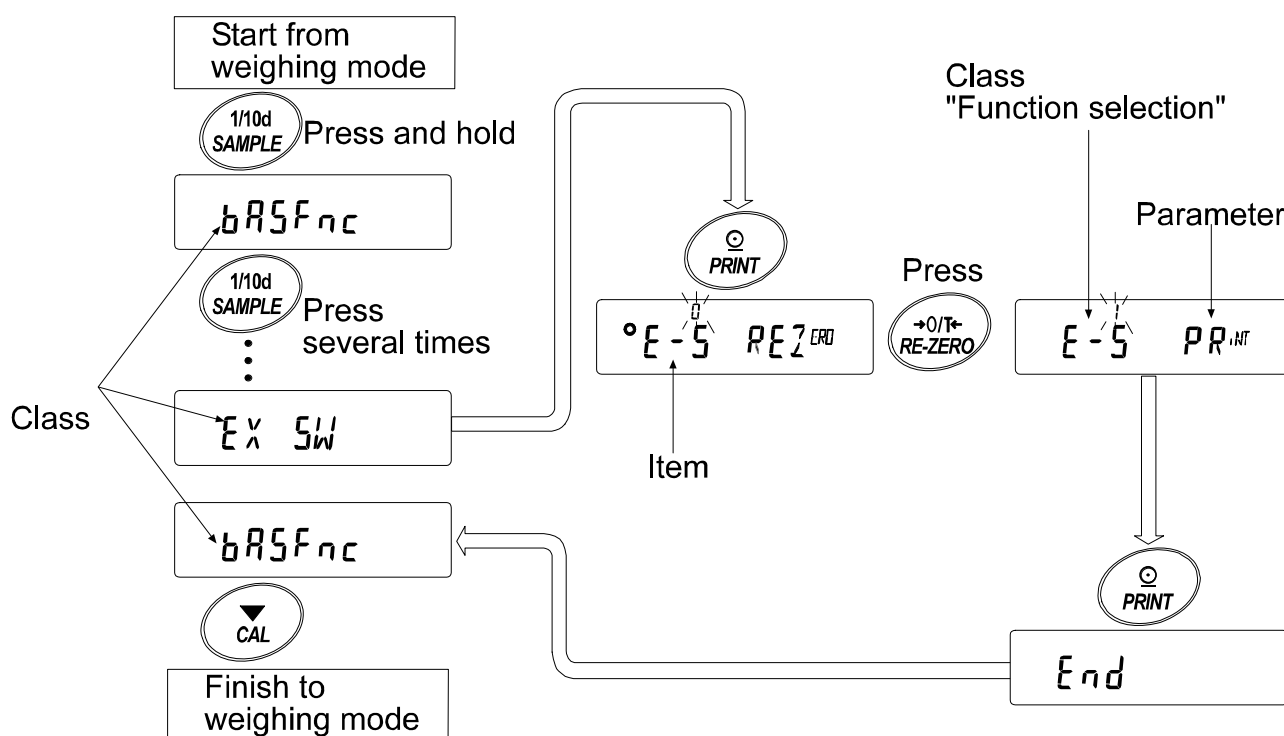
Step 3 The function table stores parameters that specify how to operate the balance, and it is used to monitor or update those parameters.

In the function setting, assign the PRINT or RE-ZERO key function to the external IR switch. The parameter that is set is stored in memory even if the AC adapter is removed and is retained until updated.

The function table menu consists of two layers as shown in the diagram below. The first layer is the "Class" and the second layer is the "Item". Each item stores a "parameter". The last displayed parameter is in effect. After the **PRINT** key is pressed, these updated parameters are applied to operations of the balance.







Example of settings and menu structure

Example: Set the function of the external IR switch to "PRINT."



Note: The balance may not function properly depending on the settings and the operating environment. Be sure to set parameters correctly.

Function table display and operation keys

	The  indicates that the parameter displayed is in effect.
	Enters the function table when pressed and held in the weighing mode. Selects the class or item in the function table.
	Changes the parameter.
	Moves to an item in the class. Stores the new parameter and displays the next class.
	Cancels the new parameter and displays the next class when an item is displayed. Exits the function table and returns to the weighing mode when a class is displayed.

Function table

Note: Functions available vary with the balance model.

Class	Item	Parameter	Description
<i>bRSFnC</i> Environment Display			Refer to the GX-A/GX-F series balance instruction manual.
<i>CL Add</i> Clock adjustment			
<i>CP Fnc</i> Comparator			
• • •			
<i>PASS Wd</i> Password lock			
<i>Auto CAL</i> Automatic calibration			
<i>EX SW</i> External IR switch	<i>E-S</i> Function selection	▪ 0	REZ^{ERO} (Same function as the RE-ZERO key)
		1	PR^{INT} (Same function as the PRINT key)
	<i>SENS</i> Sensitivity adjustment	0	Sets the external IR switch sensitivity to HI.
		▪ 1	Sets the external IR switch sensitivity to MID.
		2	Sets the external IR switch sensitivity to LOW.
<i>CS in *</i> Internal mass value correction			Refer to the GX-A/GX-F series balance instruction manual.

* Only for the GX-A series ▪ Factory setting

- The external IR switch sensitivity adjustment function is available for balances with software version P-1.200 or later.



A&D Company, Limited

3-23-14 Higashi-Ikebukuro, Toshima-ku, Tokyo 170-0013, JAPAN

Telephone: [81] (3) 5391-6132

Fax: [81] (3) 5391-6148

A&D ENGINEERING, INC.

1756 Automation Parkway, San Jose, California 95131, U.S.A.

Telephone: [1] (408) 263-5333

Fax: [1] (408) 263-0119

A&D INSTRUMENTS LIMITED

Unit 24/26 Blacklands Way, Abingdon Business Park, Abingdon, Oxfordshire OX14 1DY United Kingdom

Telephone: [44] (1235) 550420

Fax: [44] (1235) 550485

A&D AUSTRALASIA PTY LTD

32 Dew Street, Thebarton, South Australia 5031, AUSTRALIA

Telephone: [61] (8) 8301-8100

Fax: [61] (8) 8352-7409

A&D KOREA Limited

한국에이.엔.디(주)

서울특별시 영등포구 국제금융로6길33 (여의도동) 맨하탄빌딩 817 우편 번호 150-749

(817, Manhattan Bldg., 33. Gukjegeumyung-ro 6-gil, Yeongdeungpo-gu, Seoul, 150-749 Korea)

전화: [82] (2) 780-4101

팩스: [82] (2) 782-4280

OOO A&D RUS

ООО "ЭЙ энд ДИ РУС"

121357, Российская Федерация, г.Москва, ул. Верейская, дом 17

(Business-Center "Vereyskaya Plaza-2" 121357, Russian Federation, Moscow, Vereyskaya Street 17)

тел.: [7] (495) 937-33-44

факс: [7] (495) 937-55-66

A&D INSTRUMENTS INDIA PRIVATE LIMITED

ऐ&डी इन्स्ट्रूमेन्ट्स इण्डिया प्रा० लिमिटेड

509, उद्योग विहार , फेस -5, गुडगांव - 122016, हरियाणा , भारत

(509, Udyog Vihar, Phase-V, Gurgaon - 122 016, Haryana, India)

फोन : 91-124-4715555

फैक्स : 91-124-4715599