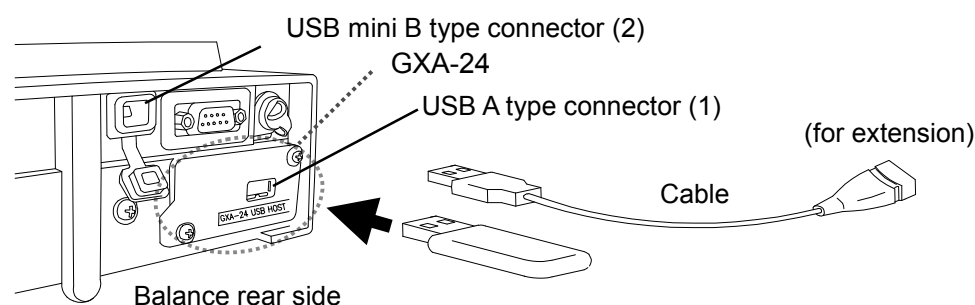


1WMPD4003591

1. Features

- Using the GXA-24 USB host interface, the USB memory can be connected to GX-A/GF-A series balances.
- By saving weighing data on the USB memory, the data can easily be acquired by a PC with Windows or Mac OS. (Driver not required.)
- The balance's weighing data is saved on the USB memory in CSV format.
- The GXA-24 USB host interface is installed on the rear side of the balance beforehand.
- In addition to directly connecting the USB memory to the USB A type connector of the GXA-24, the USB memory can also be connected to the balance through the provided extension cable (Approx. 0.5 m length).



Note

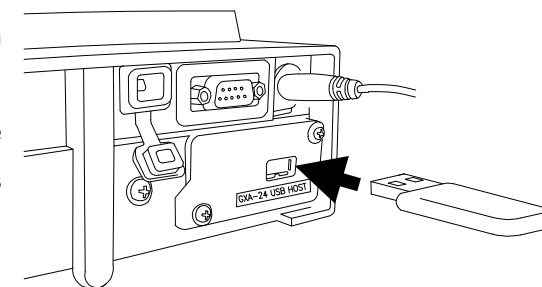
- Only connect the USB memory to the USB A type connector (1).
- The USB A type connector (1) and USB mini B type connector (2) cannot simultaneously be connected to peripheral devices.
A USB connector connected first has preference, and other devices subsequently connected will not be recognized.
- To remove the USB memory from the balance, make sure that the display is turned to off and the USB connection indicator is not lit up. Operating the device improperly may result in data not being written to the USB memory. (Refer to Step 6 in "3. How To Use".)

2. Product composition

- 1) GXA-24: USB host interface (built in the balance)
- 2) AX-KO3644-50: extension USB cable (0.5m)
- 3) Instruction manual (this document)

3. How to use

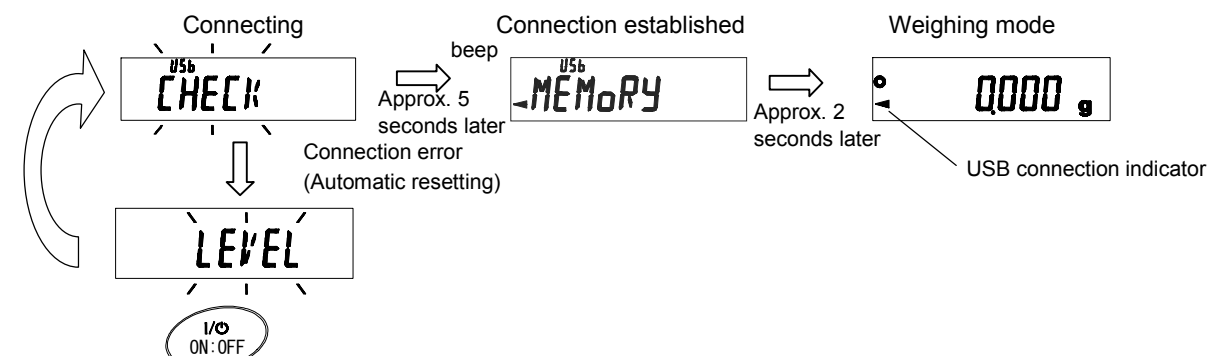
- Step 1 Connect the AC adapter to the balance and turn the power of the balance on.
- Step 2 Connect the USB memory to the USB A type connector of the balance while the balance's display is in weighing mode.



- Step 3 When the USB memory is connected to the balance, "USB CHECK" blinks on the display for approx. 5 seconds.
When the USB memory is recognized by the balance, the buzzer will sound. The display enters weighing mode after "USB MEMoRY" is displayed for approx. 2 seconds, and then the USB connection indicator lights up.

Note

- There are cases where the balance will automatically be restarted when the USB memory is detected. In this case, press the **ON:OFF** key to put the balance in weighing mode again.



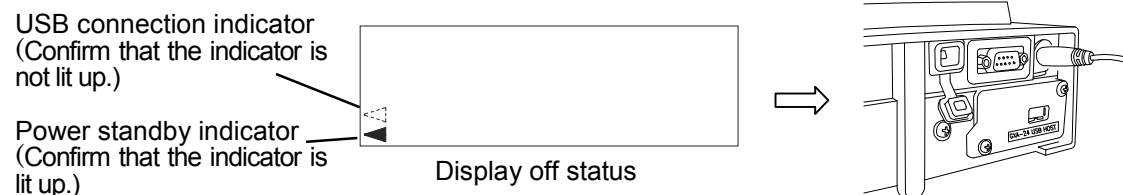
- Step 4 Change the USB data format (balance's function settings) if necessary.

* The USB data format is set to A&D standard format at shipment. By changing the USB data format to CSV format ($U-LP 2$), the data can be divided at the numerical value section. This is useful for processing numerical values.

- Step 5 Set the balance to Key mode or Auto print mode. By performing output operations using the balance, the data can be transmitted to the USB memory.

Step 6 When removing the USB memory, perform the following.

- 1) Press the **ON:OFF** key of the balance to turn the display off.
- 2) Confirm that the USB connection indicator is not lit up.
(Power standby indicator is lit.)
- 3) Remove the USB memory from the balance.



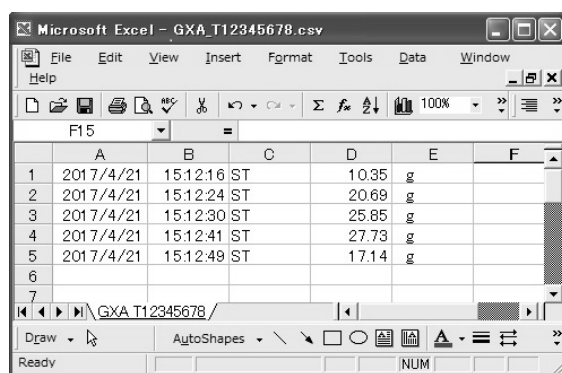
Step 7 Connect the USB memory to the PC's USB port.

Step 8 A file named "GXA_T*****.csv" is created in root directory of the USB memory, and weighing data is saved in this file.

(The "*" indicates the serial number for the balance.)

Copy this file to the PC for use in data management.

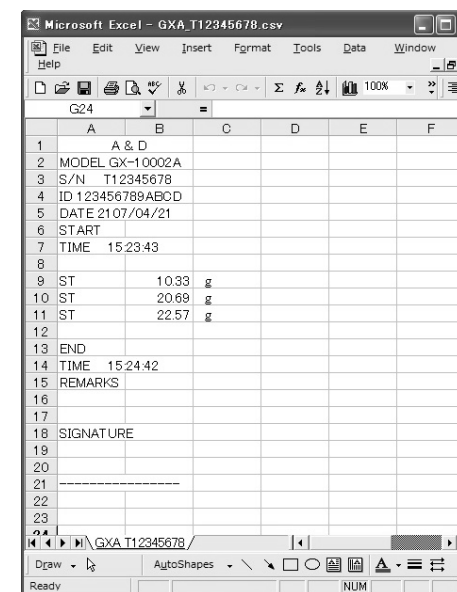
The following example is when data having date, time and weighing data outputted in CSV format is displayed using Excel.



Step 9 If the stored data is not needed after the data is copied to the PC, delete the "GXA_T*****.csv" file. When the data is saved while previous data is in the file, the new data is added to a line following that of previous data. (This operation does not create a new file.)

4. Use or application examples

- GLP output can also be stored on the PC. The following example is when the data is displayed using Excel.



5. Precautions for use and limit items

- 1) To prevent a loss of the data, do not use the USB memory together with another device. It must only be used for this device.
- 2) If other data has been saved on the USB memory beforehand, that may cause loss of data. We cannot provide no warranty for loss of data due to this operation.
Make sure that the USB memory is formatted using the PC before using it with this product.
- 3) USB memory that has a security function such as Virus Buster cannot be used.
- 4) USB memory formatted in NTFS or exFAT cannot be used.
USB memory formatted in FAT (FAT16) or FAT32 must be used with this device.
- 5) There are cases when proper operations cannot be made even if USB memory that meets the conditions above is used. We cannot guaranty operation of all USB memory.
- 6) A USB hub cannot be used with the GXA-24.
- 7) When the balance cannot properly be operated due to connection of unsupported USB memory or improper removal of it, disconnect and reconnect the AC adapter from the balance and then turn the power of the balance on again.

6. Specifications

USB standard	Compatible with USB 2.0 Full-Speed/Low-Speed
Maximum supply current	500mA (5V)
Format	FAT(FAT16), FAT32