

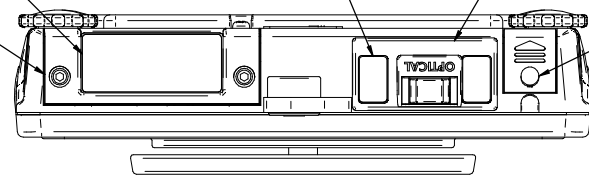
PRECAUTIONS LABEL
•PET

BLANK SEAL
•PVC

CONNECTOR COVER
•ABS

BATTERY COVER
•ABS

CAL COVER(BK)
•ABS

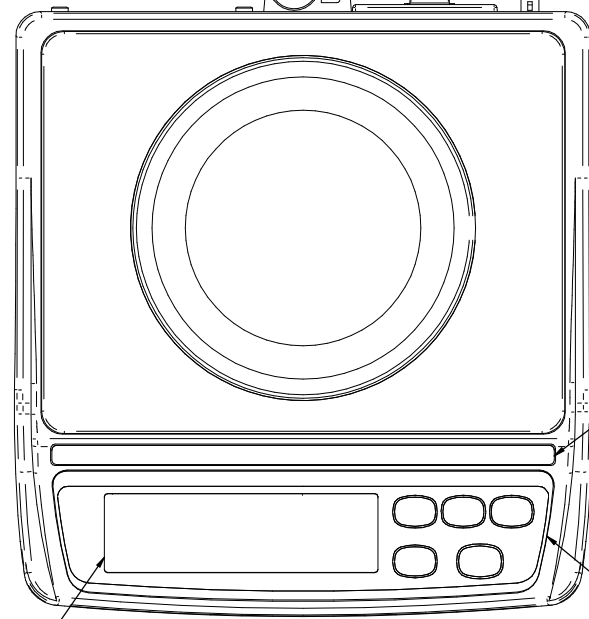
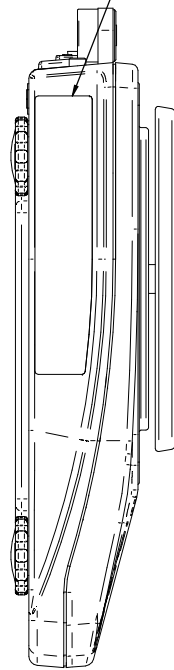


SPIRIT LEVEL MR14
•PMMA

CONNECTOR CAP
•ABS

HAZARDOUS LOCATION LABEL
•PET

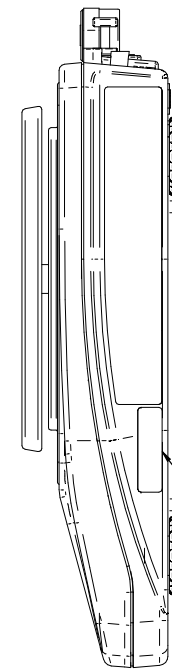
CAP
•PE



MODEL LABEL
•PET

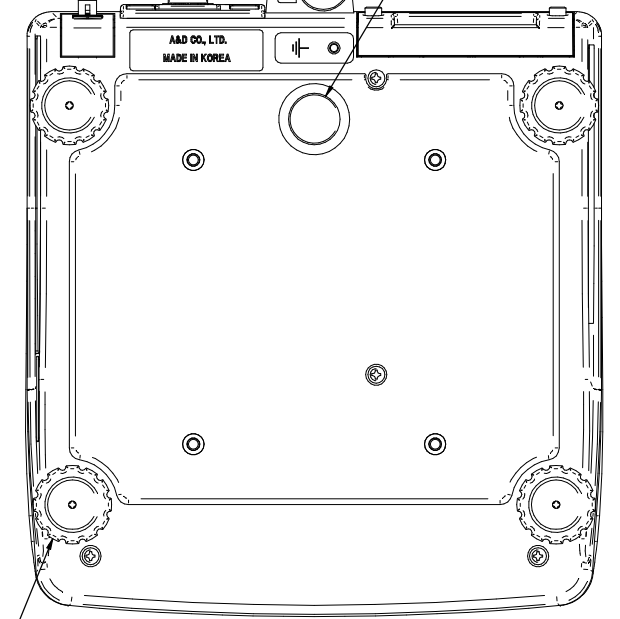
KEY SHEET
•PET

FILTER
•PMMA



SERIAL LABEL
•PET

LEVEL FOOT(BK)
•TPE



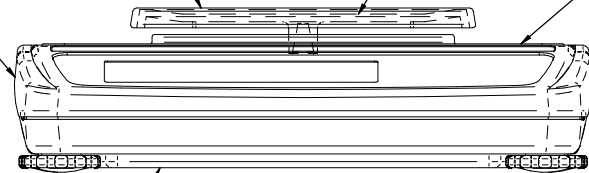
PAN SUPPORT(S)
•ABS+CF

EARTH PLATE(S)
•SUS304

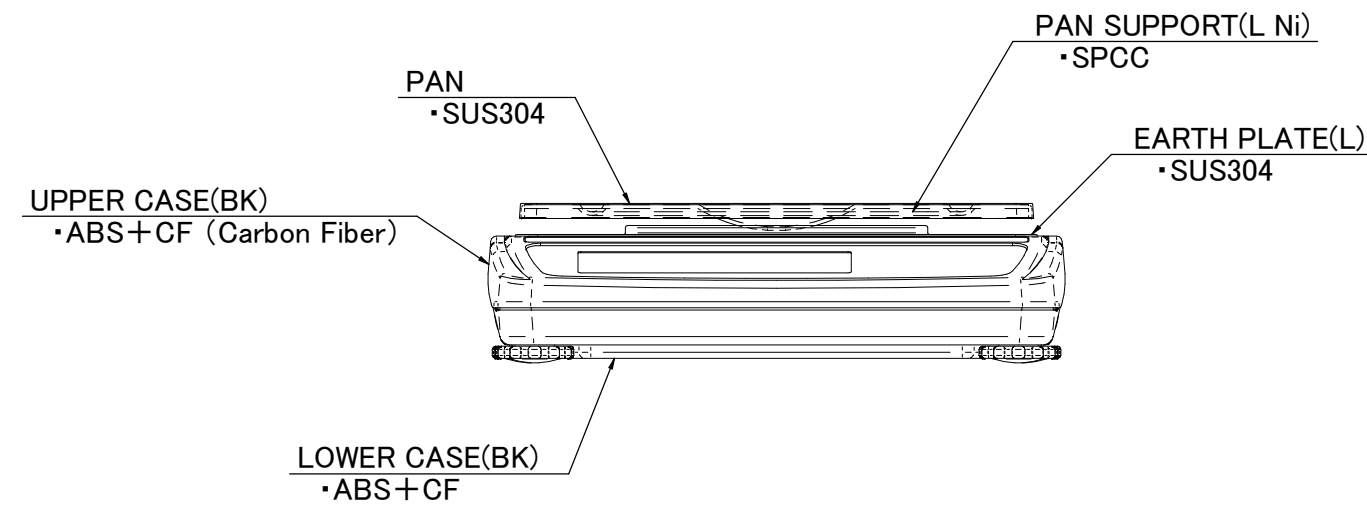
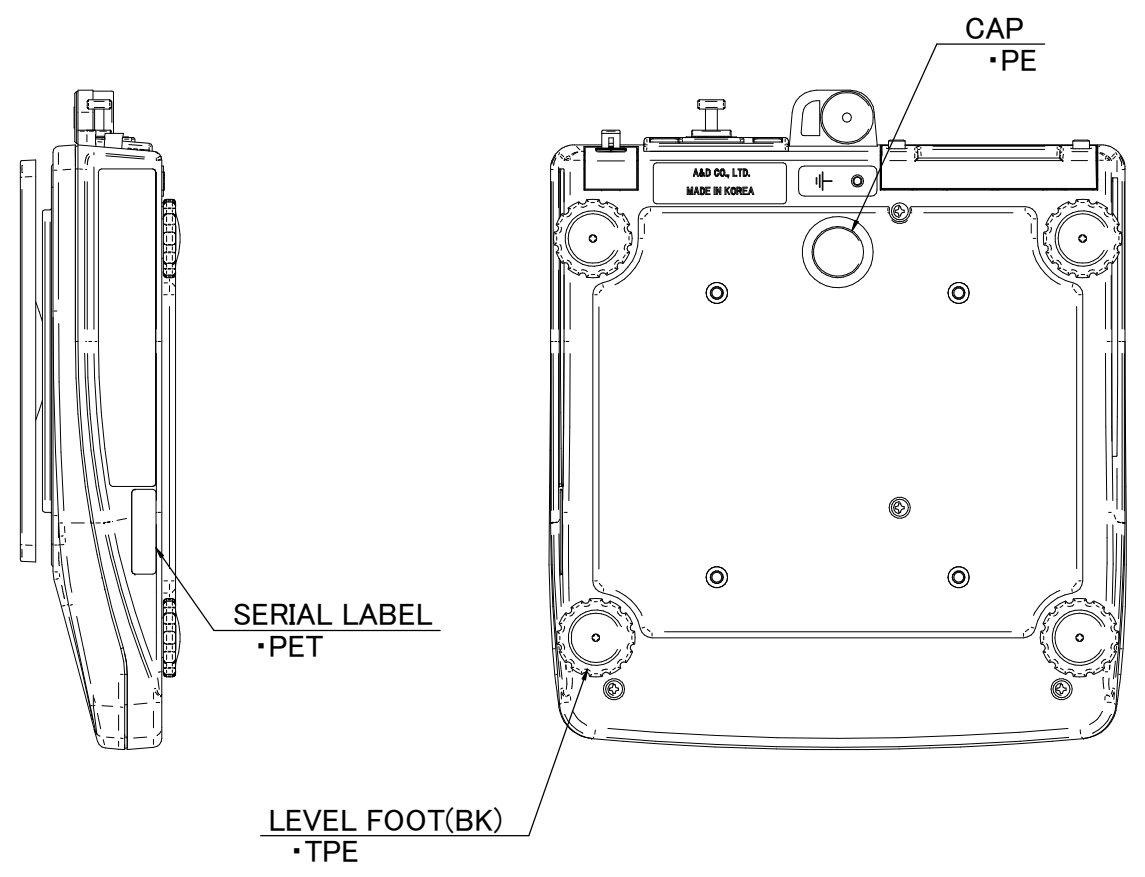
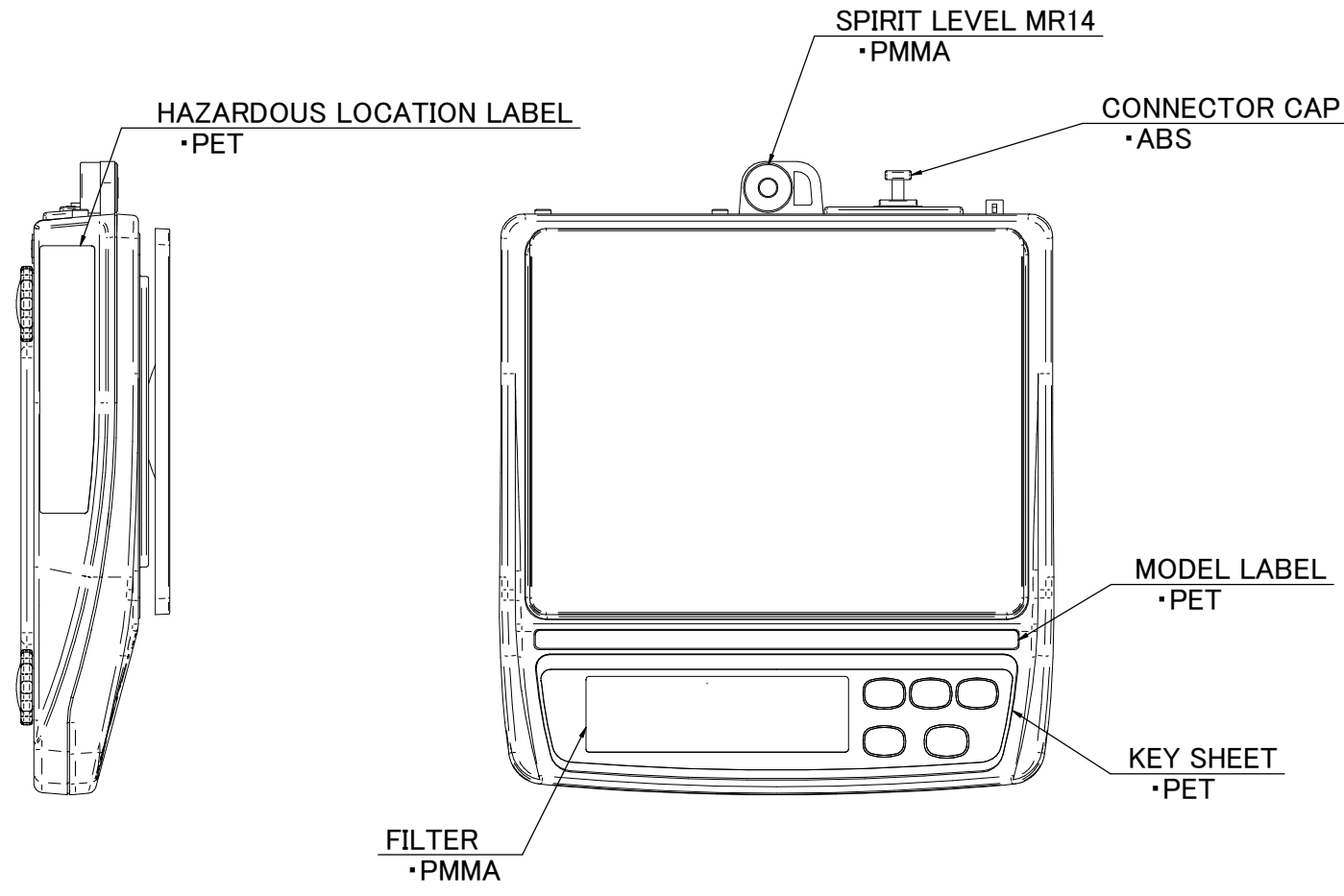
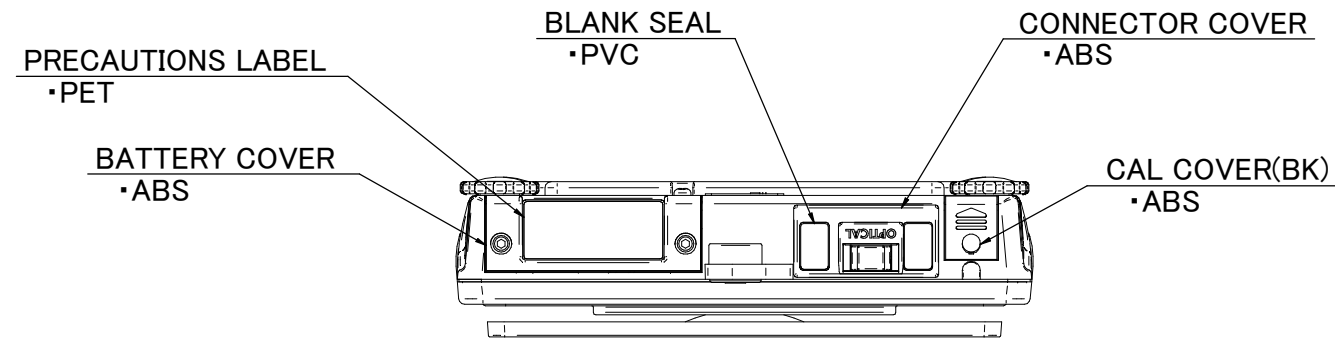
110PAN
•SUS304

UPPER CASE(BK)
•ABS+CF (Carbon Fiber)

LOWER CASE(BK)
•ABS+CF



					MODEL	EK-300AEP
					PARTS LIST	
		SCALE	TOLERANCE	MATERIAL	TREATMENT	
		APPROVED			REGISTERED	TITLE
		CHECKED				Exterior parts material
		DESIGN				STOCK No.
		DRAWN				DRG. No.
00	2020.03.16	A&D Company, Limited			APPLIED TO DATE	
SYMBOL	DATE					



				EK-12KAP	
				MODEL	EK-3000AEP
				PARTS LIST	
SCALE		TOLERANCE	MATERIAL	TREATMENT	
APPROVED				REGISTERED	TITLE
CHECKED					STOCK No.
DESIGN					DRG.
DRAWN					No.
00	2020.03.16	A&D Company, Limited		APPLIED TO DATE	
SYMBOL	DATE				

Exterior parts material