

Stainless Steel

Multi Point Load Cells

LCC07 Series

- ★ **Stainless Steel Housing Ideal for using in the Food/Chemical Industry**
- ★ **Rocking Absorption Type**
- ★ **Designed for Tanks and Hoppers**
- ★ **Compression Type**



Models & Capacity

Model	Capacity
LCC07K500	5kN(509.9kg)
LCC07T001	10kN(1.020t)
LCC07T002	20kN(2.039t)
LCC07T003	30kN(3.059t)
LCC07T005	50kN(5.099t)

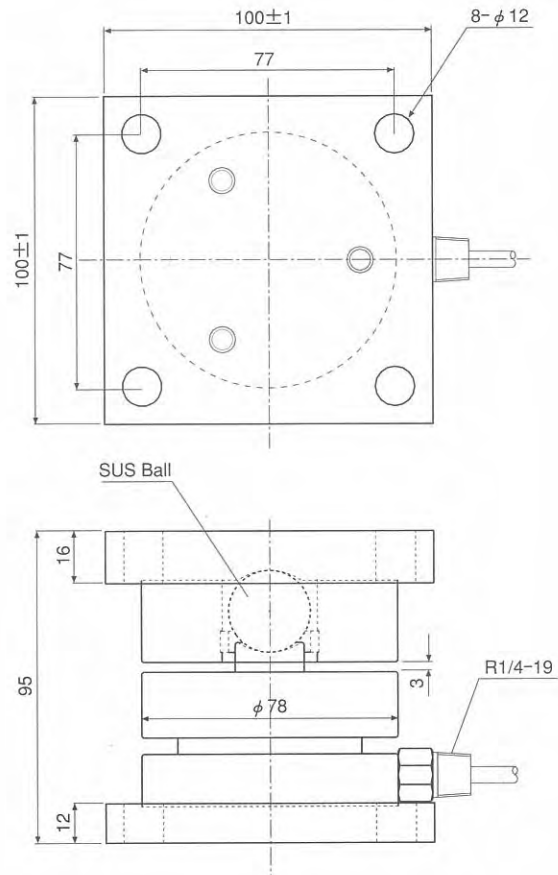
Specifications

- Rated Output ————— 2mV/V±0.1%
- Maximum Safe Overload — 150% of R.C.
- Combined Error ————— 0.03% of R.O.
- Recommended Excitation Voltage — DC12V
- Maximum Excitation Voltage — DC15V
- Zero Balance ————— ±1% of R.O.
- Input Terminal Resistance — 780±20Ω
- Output Terminal Resistance — 700±10Ω
- Insulation Resistance — Greater than 500MΩ/DC50V
- Operating Temperature — -10°C to 40°C
- Temperature Effect ————— Zero : 0.04% of R.O./10°C
- Span : 0.014% of Load/10°C Typ.
- Cable Diameter/Length ———— ∅5.6/5m
- Dustproof/Waterproof ———— IP67

Dimensions

Unit : mm

CABLE COLOR CODE	
RED	EXC +
WHITE	EXC -
GREEN	SIG +
BLUE	SIG -
YELLOW	SHIELD



Specifications are subject to change for improvement without notice.

A&D

...Clearly a Better Value

A&D Company, Limited

3-23-14 Higashi-Ikebukuro, Toshima-ku, Tokyo 170-0013 JAPAN
 Telephone: [81] (3) 5391-6132 Fax: [81] (3) 5391-6148
www.aandd.co.jp

A&D ENGINEERING, INC.

1555, McCandless Drive, Milpitas, CA. 95035 U.S.A.
 Telephone: [1] (408) 263-5333 Fax: [1] (408) 263-0119

A&D MERCURY PTY. LTD.

32 Dew Street, Thebarton, South Australia 5031 AUSTRALIA
 Telephone: [61] (8) 8352-3033 Fax: [61] (8) 8352-7409

A&D INSTRUMENTS LTD.

Unit 24/26 Blacklands Way Abingdon Business Park,
 Abingdon, Oxon OX14 1DY United Kingdom
 Telephone: [44] (1235) 550420 Fax: [44] (1235) 550485

<German Sales Office>

Berner Straße 64, D-60437 Frankfurt/Main GERMANY
 Telephone: [49] (69) 507 1017 Fax: [49] (69) 507 2054

A&D KOREA Limited

Manhattan Bldg. 8F, 36-2 Yoido-dong, Youngdeungpo-gu, Seoul, KOREA
 Telephone: [82] (2) 780-4101 Fax: [82] (2) 782-4280