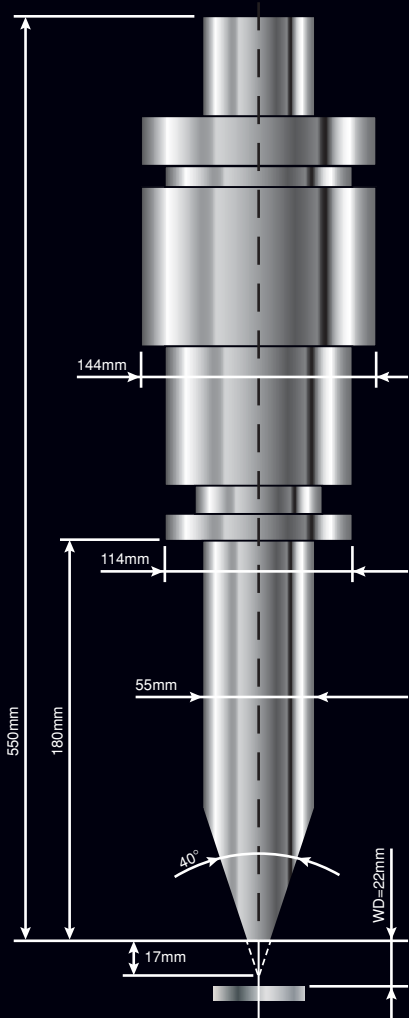




High Resolution Focused Ion Beam



FIB 30 Specification

Ion column

- Ion Source Ga Liquid Metal Ion Source
- Acceleration Voltage ... 2 – 30kV
(optional up to 40kV)
- Beam Current 0.2pA – 20nA
(optional up to 50nA)
- Resolution $\leq 4\text{nm}$ at 30kV (Gold on Carbon Sample)
- Aperture 4-position Manual Control
(10-position Optional Motor Control)
- Beam Blanker Standard, External Control Possible
- Image 256 × 256 – 2,048 × 2,048
- Dwell Time 100nsec – 1,000sec/pixel

Electronics

- FIB Server Linux/Pentium M
- FIB Controller PC Windows XP
- High Voltage PS Acc, CL,OL, Emitter Controller

Specifications are subject to change without notice.