

Analytical Weighing Sensors

AD-4212B

Series



*At last, 1 μ g readability in
production-line weighing!*



AND ...Clearly a Better Value
A&D Company, Limited
<http://www.aandd.jp>

Looking for the Highest Precision Possible for Your Weighing System?

The level of control of filling, coating, and dispensing amounts in high-tech industries just gets stricter and stricter, raising to new heights the precision required of balances used in such applications. The AD-4212B, the highest-precision series of A&D's production-line balances, are not only suitable for building extremely sensitive weighing systems, but are also fast and yet surprisingly affordable. **Precision, Speed, Affordability** – three aspects of which most other balances can satisfy only two at a time!



Exceptional Weighing Performance

Minimum Weighing Value from 1 μg ⁱ

The AD-4212B realizes the precision of laboratory analytical balances (including micro-balances) and most minute weighing in production processes.

*i 1 μg (= 1/1,000,000 g) is approximately 1 nanoliter of water volume.

Fast Stabilization of 4.0 Seconds for 0.01 mg Resolutionⁱⁱ

The high-speed, efficient weighing dramatically improves the throughput of your system. *ii AD-4212B-101/102

Adjustable Response Characteristics

Select one of three preset combinations of weighing speed and stability (FAST, MID, or SLOW) to effectively minimize the influence of drafts and vibrations.



Great Installation Flexibility

Space-saving with an 80 mm width

The slim separate weighing unit facilitates the compact arrangement of your system.

Wall / Panel-Mountable Display Unit

The provided stand can be used to attach the display unit to a wall. The DIN-sized (192 × 96 mm) display unit is also suitable for panel mounting.



Wall / panel mounting

Possible to Create Your Own Weighing Pan

Design and attach your preferred weighing pan when the standard pan is unfit for your specific application.

Weighing in Vacuum Chambers

You can safely install and use the weighing unit in a vacuum chamber, as it is isolated from the delicate electric parts in the display unit.



Weighing in a vacuum chamber

Diverse Data Management Solutions

Data Memory Functionⁱⁱⁱ

The balance stores up to 200 weighing results (100 with date & time) or the 50 latest calibration results without external memory devices. It can also save 20 unit masses for the counting mode or 20 sets of upper/lower limit values for easy recall afterwards.

*iii Not available when the BCD output (AD-4212-01) is installed

Various Input / Output Methods

The following three choices are available:

1. RS-232C serial interface, 3-level / 5-level comparator contact output with buzzer, and external contact input for RE-ZERO and PRINT (standard)
2. BCD output and external contact input for RE-ZERO and ON/OFF (AD4212A-01, optional)
3. LAN-Ethernet interface with WinCT-Plus software (AD4212A-08, optional)

GLP/GMP/GCP/ISO Compliant Output

For documentation, the AD-4212B can output the balance manufacturer, model, serial number, ID number, date, time, space for a signature, calibration records, etc.

High Durability and Protection

Guarded Against Vertical and Transverse Overloading

Our patented shock absorber^{iv} under the weighing pan copes with movement in all directions so that the sensor is protected from actuator malfunctions.

*iv Not designed to handle impact loads.

Chemically Resistant, Stainless Steel Construction

The splash-proof, IP54 weighing unit with a SUS304 body (SUS316 weighing pan) protects the sensor from accidental spilling of medical agents, resist ink, coating materials, etc.

Other Helpful Features

- ✓ Securable to a base by removing the leveling feet and using the provided mounting fixtures
- ✓ Twelve units of weighing including g, mg, oz, ozt, ct, mom, dwt, GN, tael, tola, PC (counting mode), Pct (percent mode)
- ✓ Preventive function to inhibit unintended changes to important parameters
- ✓ Stainless steel breeze break for better weighing stability
- ✓ Comes with a free calibration weight (OIML Class E2 equivalent)



Stainless steel breeze break

Specifications

Models	AD-4212B-23	AD-4212B-101	AD-4212B-102	AD-4212B-201	AD-4212B-301
Weighing capacity	21 g	31 g / 110 g ^v	110 g	210 g	310 g
Minimum weighing value	0.001 mg	0.01 mg / 0.1 mg	0.01 mg	0.1 mg	0.1 mg
Repeatability (standard deviation)	0 - 10 g (gross) : 0.003 mg ^{vi}	0.05 mg / 0.1 mg	0 - 30 g : 0.02 mg	0.1 mg	0.2 mg
	10 - 21 g (gross) : 0.004 mg ^{vi}		30 - 100 g : 0.04 mg		
Linearity	±0.01 mg	±0.05 mg / ±0.2 mg	±0.1 mg	±0.2 mg	±0.3 mg
Stabilization time (when set to FAST under a good environment)	Approx. 12 sec	Approx. 4.0 sec / 2.5 sec	Approx. 4.0 sec	Approx. 2.5 sec	Approx. 2.5 sec
Sensitivity drift	±2 ppm/°C (10 °C to 30 °C/50 °F to 86 °F)				
Operating environment	5 °C to 40 °C (41 °F to 104 °F), 85%RH or less (no condensation)				
Display refresh rate	10 times/second (5 times/second can be selected)				
Display mode	g, mg, oz, ozt, ct, mom, dwt, GN, tael, tola, PC (counting mode), Pct (percent mode)				
Counting mode	Minimum unit mass	0.1 mg			
	Number of samples	10, 25, 50 or 100 pieces			
Percent mode	Minimum 100% reference mass	1 mg	10.0 mg		
	Minimum 100% display	0.01%, 0.1%, 1% (depends on the reference mass stored)			
I/O unit	RS-232C	Bi-directional, 600-19200 bps			
	Comparator contact output	3-level or 5-level (with buzzer)			
	External contact input	RE-ZERO, PRINT			
Calibration weight provided (conforming to OIML Class E2)	1 g	50 g	100 g		
Applicable calibration weight value	1 g, 2 g, 5 g, 10 g, 20 g	10 g, 20 g, 50 g, 100 g	10 g, 20 g, 50 g 100 g, 200 g	10 g, 20 g, 50 g 100 g, 200 g, 300 g	
Weighing unit	Dimensions	80(W) × 230(D) × 90(H) mm			
	Weighing pan	Ø34 mm		50 × 50 mm	
	Weight	Approx. 2.3 kg			
Display unit	Dimensions	237(W) × 150(D) × 155(H) mm			
	Weight	Approx. 2 kg			
Connection cable	Approx. 2 m (between the weighing unit and the display unit)				
Power supply	AC adapter				
Power consumption	Approx. 15 VA (supplied to the AC adapter)				

* v Smart range function: The display will switch to the standard range automatically when the value exceeds 31 g but return to the precision range when RE-ZERO (tare) is performed.
 * vi Repeatability for a 1 g mass using an automatic loading machine.

Options

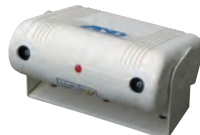
- AD4212A-01 BCD output / external contact input
- AD4212A-07 Extension cable (3 m)
- AD4212A-08 Ethernet interface
(with application software WinCT-plus on CD-ROM)
- AD4212A-19 Stainless steel breeze break
(comes as standard but also available as an option)
- AD4212A-20 Metal leveling foot

Accessories

- AD-1683 Static eliminator
- AD-1684 Electrostatic field meter
- AD-1688 Weighing data logger
- AD-1689 Tweezers for calibration weight
- AD-8121B Compact printer
- AD-8527 Quick USB adapter
- AD-8951 Comparator light



AD-8121B



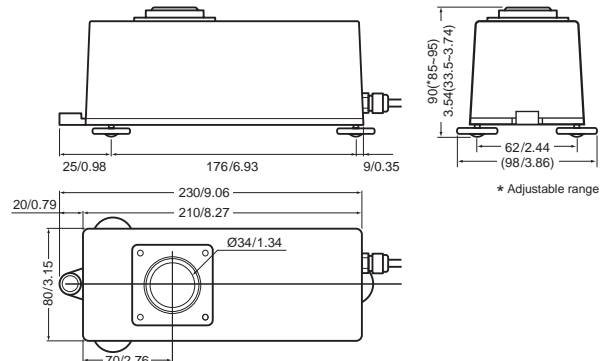
AD-1683



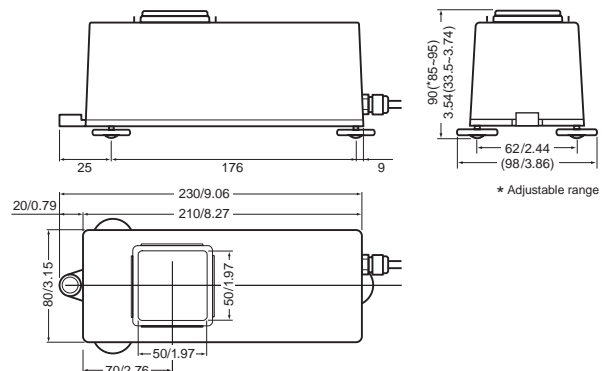
AD-1684

Dimensions(mm/inch)

AD-4212B-23/101/102



AD-4212B-201/301



A&D

...Clearly a Better Value

A&D Company, Limited

3-23-14 Higashi-Ikebukuro, Toshima-ku, Tokyo 170-0013 JAPAN
 Telephone:[81](3) 5391-6132 Fax:[81](3) 5391-6148
<http://www.aandd.jp>

A&D ENGINEERING, INC.

1756 Automation Parkway, San Jose, CA 95131 U.S.A.
 Telephone:[1](408) 263-5333 Fax:[1](408) 263-0119

A&D Australasia Pty Ltd.

32 Dew Street, Thebarton, South Australia 5031 AUSTRALIA
 Telephone:[61](8) 8301-8100 Fax:[61](8) 8352-7409

A&D INSTRUMENTS LTD.

Unit 24/26 Blacklands Way Abingdon Business Park,
 Abingdon, Oxon OX14 1DY UNITED KINGDOM
 Telephone:[44](1235) 550420 Fax:[44](1235) 550485

<German Sales Office>

Hamburger Straße 30 D-22926 Ahrensburg GERMANY
 Telephone:[49](0) 4102 459230 Fax:[49](0) 4102 459231

A&D KOREA Limited

Manhattan Bldg. 8F, 36-2 Yoido-dong, Youngdeungpo-gu, Seoul, KOREA
 Telephone:[82](2) 780-4101 Fax:[82](2) 782-4280

A&D RUS CO., LTD.

Vereyskaya str.17, Moscow, 121357 RUSSIA
 Telephone: [7] (495) 937-33-44 Fax: [7] (495) 937-55-66

A&D Instruments India Private Limited

509 Udyog Vihar Phase V
 Gurgaon-122 016, Haryana, INDIA
 Telephone: [91](124) 471-5555 Fax: [91](124) 471-5599