

Washdown Scales

# SC/SE

Series



**SUBMERSIBLE**



**AND** ...Clearly a Better Value  
A&D Company, Limited  
<http://www.aandd.jp>



# SE Series

**High Resistance to Hostile Environments!**



Steel frame



SE-30KAM  
60KAM  
150KAM



SE-60KAL  
150KAL

## Features

- IP68 dust and water-proof (submersible)
- Washdown construction for easy cleaning
- 4500 hours of continuous operation with 6 D batteries<sup>i</sup>
- Supersized LCD of 39 mm character height
- Easily switchable, multiple weighing units (kg, lb, oz, and pcs)
- High speed stabilization of 1 second
- Stainless steel weighing pan (SC: SUS304, SE: SUS430)
- Waterproof and corrosion-resistant load cell<sup>ii</sup>
- Quick USB interface<sup>iii</sup> and RS-232C + comparator relay output available as options

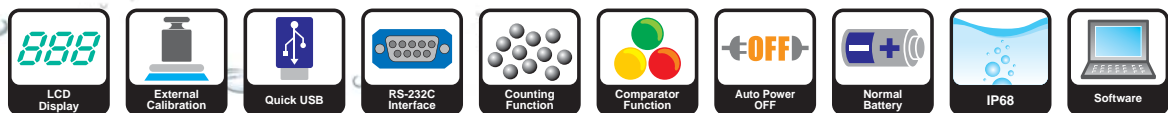


Easily removable battery unit



Battery life indicator

i) Batteries are not included.  
 ii) Aluminum anodized and coated with epoxy resin with protective silicon over wiring.  
 iii) Cables are not included.



## Specifications

		SC-30KAM SE-30KAM	SC-60KAM SE-60KAM	SC-150KAM SE-150KAM	SC-60KAL SE-60KAL	SC-150KAL SE-150KAL
kg	Capacity	30	60	150	60	150
	Min. display	0.01 0.005 *	0.02 0.01 *	0.05 0.02 *	0.02 0.01 *	0.05 0.02 *
lb	Capacity	66	130	330	130	330
	Min. display	0.02 0.01 *	0.05 0.02 *	0.1 0.05 *	0.05 0.02 *	0.1 0.05 *
oz	Capacity	1050	2100	5200	2100	5200
	Min. display	0.5 0.2 *	1 0.5 *	2 1 *	1 0.5 *	2 1 *
Number of samples		5 pieces (Can be changed to 10, 20, 50 or 100)				
Maximum count		60,000 pcs	60,000 pcs	75,000 pcs	60,000 pcs	75,000 pcs
Minimum unit weight		0.0005 kg	0.001 kg	0.002 kg	0.001 kg	0.002 kg
Repeatability (Std. deviation)		0.005 kg	0.01 kg	0.02 kg	0.01 kg	0.02 kg
Linearity		±0.01 kg	±0.02 kg	±0.05 kg	±0.02 kg	±0.05 kg
Sensitivity drift		±20 ppm / °C (5 °C to 35 °C / 41 °F to 95 °F)				
Display		7 segment LCD (Character height: 39 mm)				
Display update		10 times per second				
Operating conditions		-10 °C to 40 °C / 14 °F to 104 °F, 85%R.H. or less (no condensation)				
Power supply		Size D (R20P / LR20) batteries x 6				
Battery operation		Approximately 4,500 hours using alkaline batteries				
Weighing pan size		300 x 380 mm / 11.8 x 15.0 in.			390 x 530 mm / 15.4 x 20.9 in.	
Dimensions	SC	300(W) x 543(D) x 717(H) mm			390(W) x 688(D) x 717(H) mm	
		11.8(W) x 21.4(D) x 28.2(H) in.			15.4(W) x 27.1(D) x 28.2(H) in.	
	SE	300(W) x 582(D) x 722(H) mm			390(W) x 732(D) x 722(H) mm	
		11.8(W) x 22.9(D) x 28.4(H) in.			15.4(W) x 28.8(D) x 28.4(H) in.	
Mass (approximate)		12 kg / 26.5 lb			16 kg / 35.3 lb	
Calibration weight (factory setting)		30 kg	60 kg	150 kg	60 kg	150 kg
		60 lb	120 lb	300 lb	120 lb	300 lb

\* Factory setting

## Options

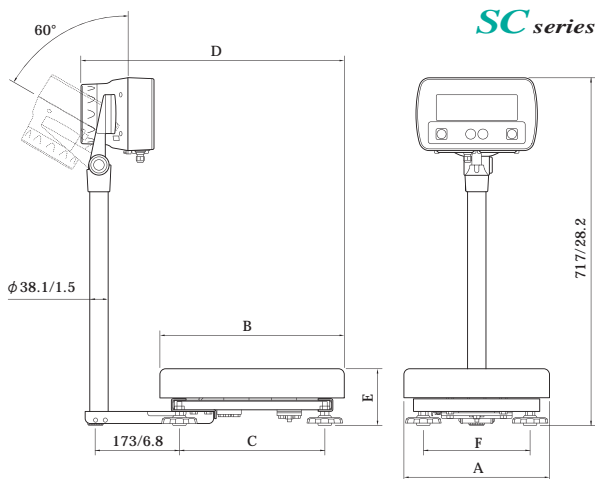
**SCE-02** Quick USB interface

**SCE-03** RS-232C + comparator relay output

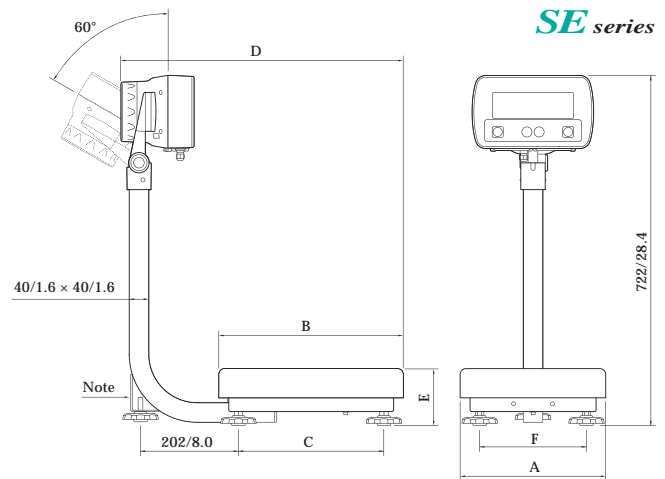
\* SCE-02 and SCE-03 cannot be used at the same time.

\* The SC / SE is not IP68 compliant with SCE-02 or SCE-03.

## External Dimensions (mm/inches)



Model	A	B	C	D	E	F
SC-30KAM / 60KAM / 150KAM	300/11.8	380/15.0	300/11.8	543/21.4	117/4.6	220/8.7
SC-60KAL / 150KAL	390/15.4	530/20.9	440/17.3	688/27.1	123/4.8	300/11.8



Model	A	B	C	D	E	F
SE-30KAM / 60KAM / 150KAM	300/11.8	380/15.0	300/11.8	582/22.9	118/4.7	220/8.7
SE-60KAL / 150KAL	390/15.4	530/20.9	440/17.3	732/28.8	128/5.0	300/11.8

Note) The pole support foot is for the SE-30KAM/60KAM/150KAM only.

# A&D

...Clearly a Better Value

### A&D Company, Limited

3-23-14 Higashi-Ikebukuro, Toshima-ku, Tokyo 170-0013 JAPAN  
Telephone:[81](3) 5391-6132 Fax:[81](3) 5391-6148  
http://www.aandd.jp

### A&D ENGINEERING, INC.

1756 Automation Parkway, San Jose, CA 95131 U.S.A.  
Telephone:[1](408) 263-5333 Fax:[1](408) 263-0119

### A&D Australasia Pty Ltd.

32 Dew Street, Thebarton, South Australia 5031 AUSTRALIA  
Telephone:[61](8) 8301-8100 Fax:[61](8) 8352-7409

### A&D INSTRUMENTS LTD.

Unit 24/26 Blacklands Way Abingdon Business Park,  
Abingdon, Oxon OX14 1DY UNITED KINGDOM  
Telephone:[44](1235) 550420 Fax:[44](1235) 550485

### <German Sales Office>

Große Straße 13 b 22926 Ahrensburg GERMANY  
Telephone:[49](0) 4102 459230 Fax:[49](0) 4102 459231

### A&D KOREA Limited

Manhattan Bldg. 8F, 36-2 Yoido-dong, Youngdeungpo-gu, Seoul, KOREA  
Telephone:[82](2) 780-4101 Fax:[82](2) 782-4280

### A&D RUS CO., LTD.

Vereyskaya str. 17, Moscow, 121357 RUSSIA  
Telephone: [7] (495) 937-33-44 Fax: [7] (495) 937-55-66

### A&D Instruments India Private Limited

509 Udyog Vihar Phase V  
Gurgaon-122 016, Haryana, INDIA  
Telephone: [91](124) 471-5555 Fax: [91](124) 471-5599