

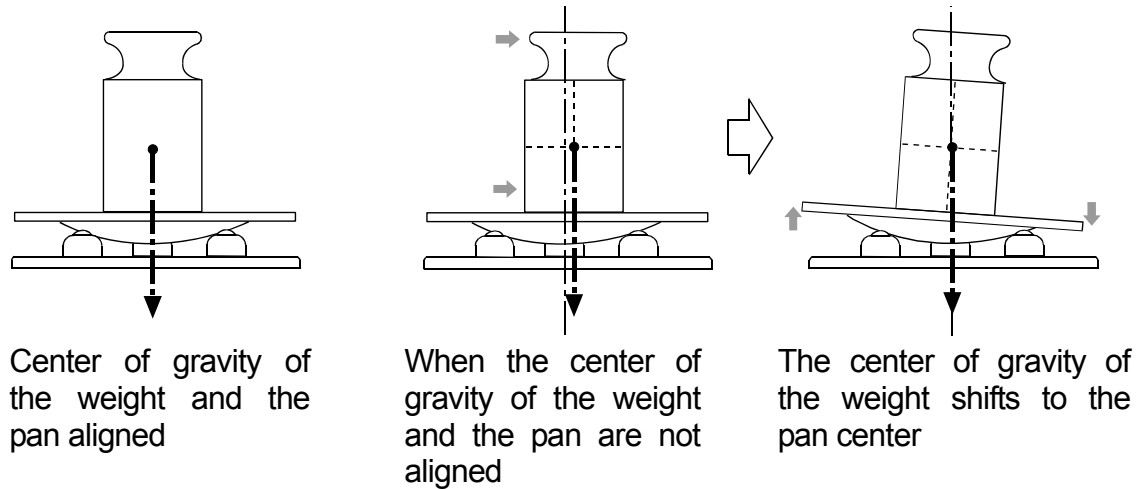
# Auto-Centering Pan (AX-MC10K/30KPAN) Instruction manual

Read this manual thoroughly before using the Auto-Centering Pan and keep it at hand for future reference.

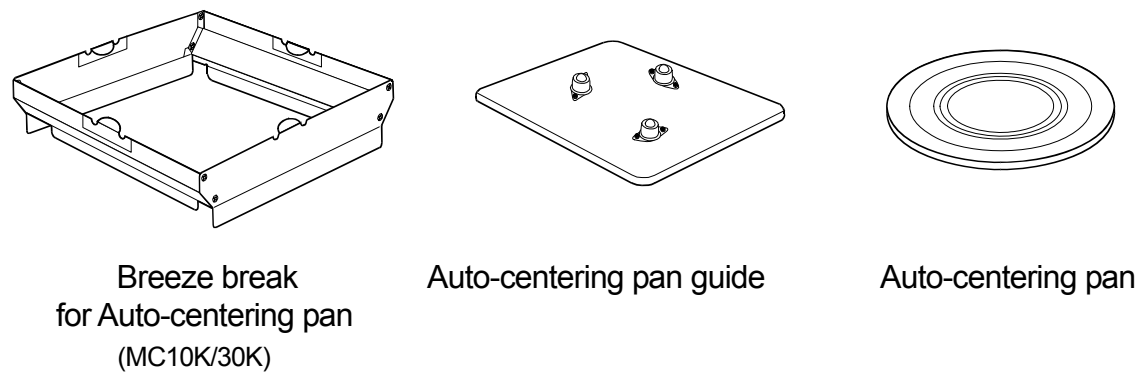
## 1. Introduction

The auto-centering pans are used with the MC series Mass Comparator Balances, the AX-MC10KPAN with the MC-10K and the AX-MC30KPAN with the MC-30K. The balance can achieve more precise weighing, by using the auto-centering pan, which aligns the center of gravity of the material to be weighed (a weight) with the pan center automatically and reduces eccentric loading errors.

The breeze break provided with this option, when attached, reduces the influence of external disturbances such as drafts.

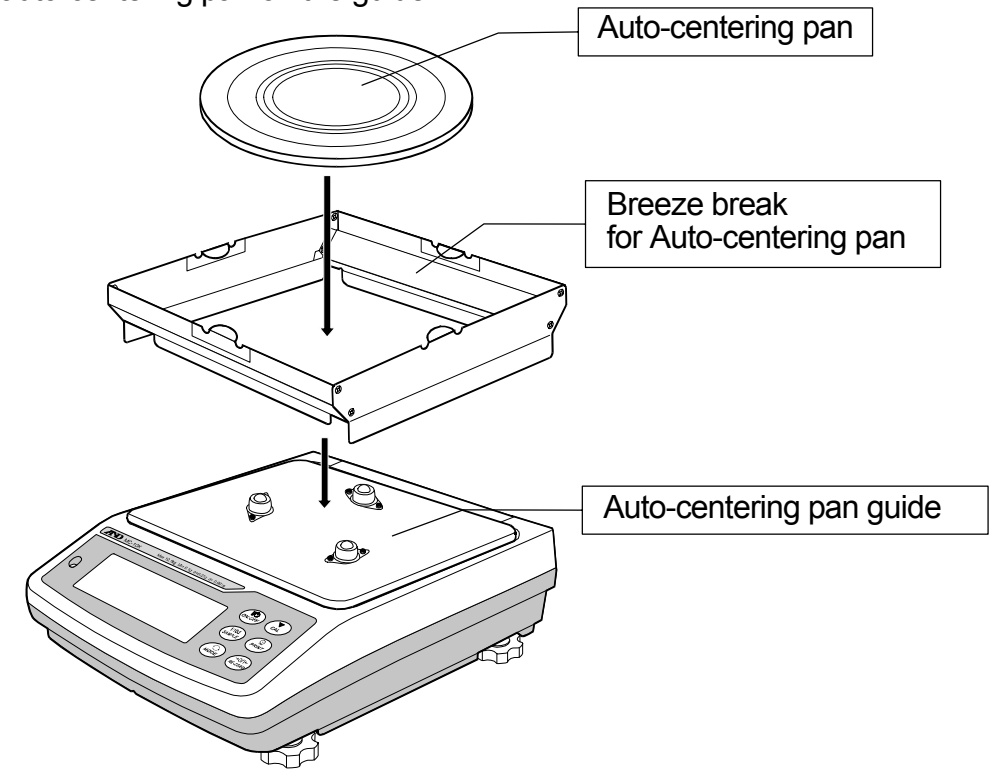


## 2. Unpacking



## 3. Installation procedure

Place the auto-centering pan guide and the breeze break on the balance, and then place the auto-centering pan on the guide.



**Note: When replacing the standard weighing pan with the auto-centering pan, be sure to calibrate the balance before weighing.**

## 4. Precautions on using the auto-centering pan

- Do not place a weight on the edge of the auto-centering pan.  
The auto-centering pan may touch the breeze break and cause the weight to fall, or the center of gravity of the weight may not shift to the pan center and cause a weighing error.
- Place a weight on the auto-centering pan gently.  
Dropping a weight onto the auto-centering pan, may damage the surface of the pan where it contacts the auto-centering pan guide bearings, thus affecting the smooth centering of the pan.

**A&D Company, Limited**

3-23-14 Higashi-Ikebukuro, Toshima-ku, Tokyo 170-0013 JAPAN  
Telephone: [81] (3) 5391-6132 Fax: [81] (3) 5391-6148