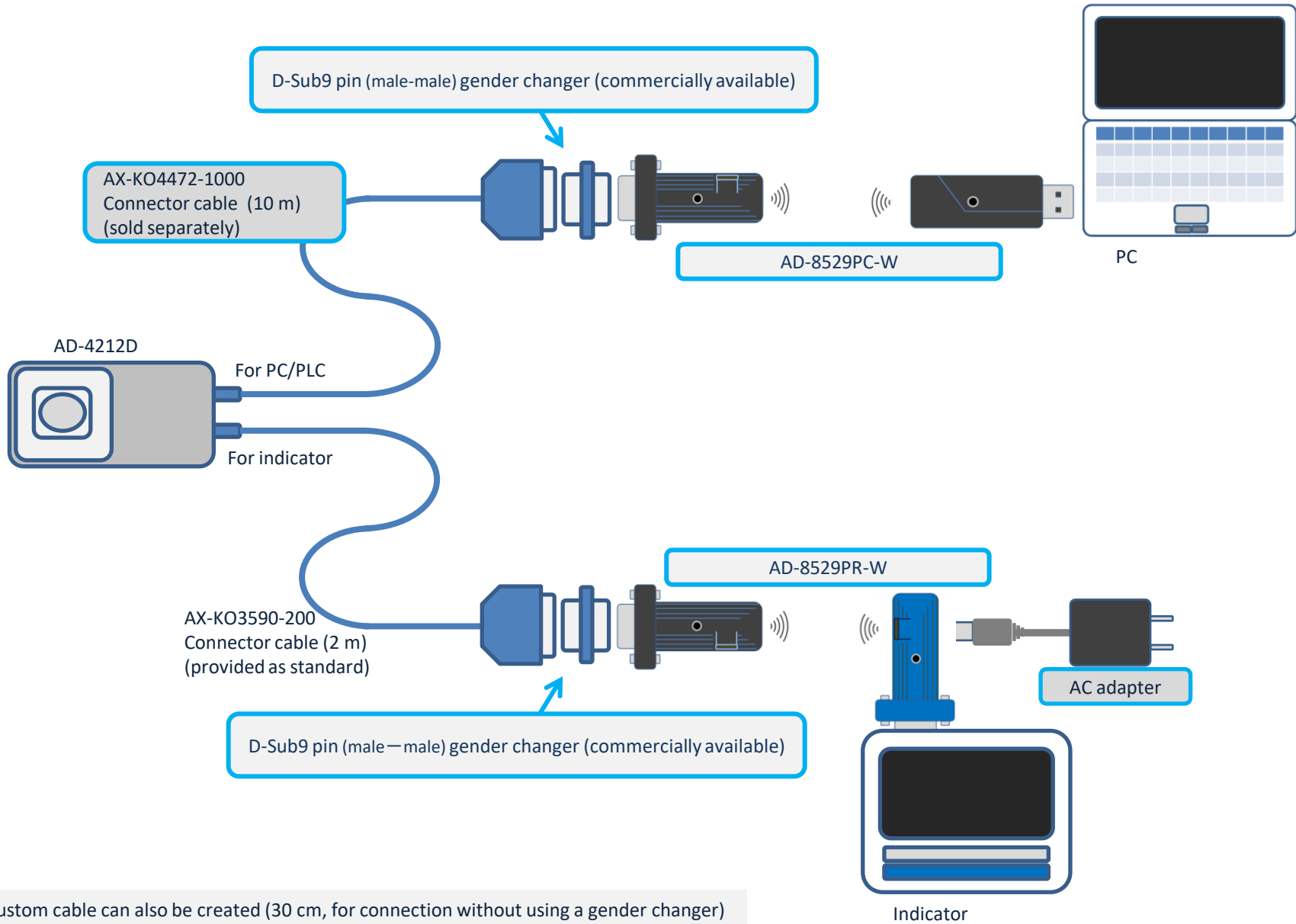
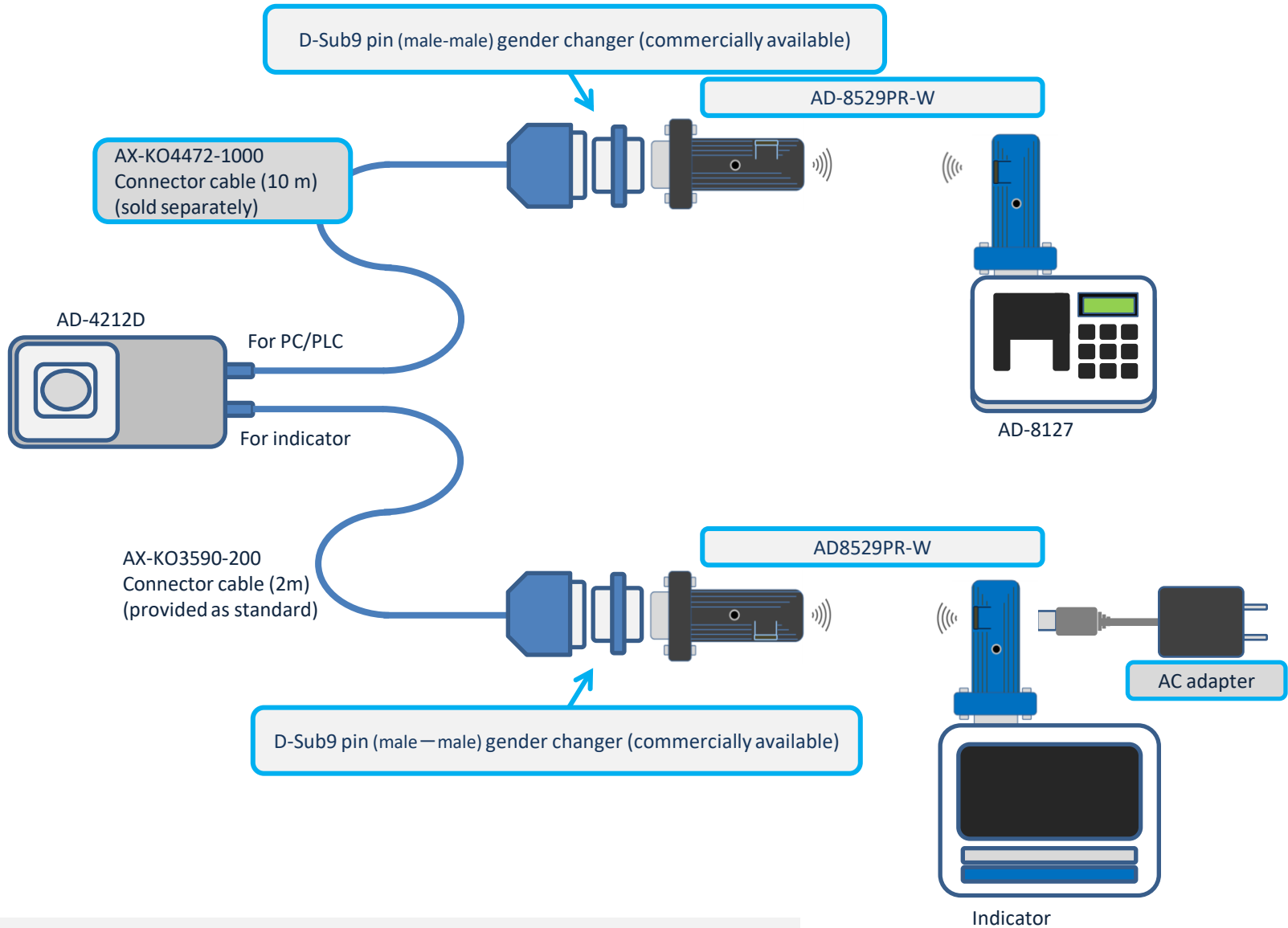


Connecting the indicator of the AD-4212D and a PC with the Bluetooth converter.



Connecting the indicator of the AD-4212D and the AD-8127 printer with the Bluetooth converter.



Custom cable can also be created (30 cm, for connection without using a gender changer)