

Stainless
Steel

Beam Load Cells

LCM13 Series

- ★ **Stainless Steel Body Is Ideal for Protection against Water, Moisture, and Corrosion (IP67)**
- ★ **Low Profile and Lightweight for Easy Mounting**
- ★ **Compact Size**
- ★ **For Both Tension and Compression Usage**
- ★ **Can Be Used for Multi-Point Weighing**



Models & Capacities

Model	Capacity
LCM13K100	1kN(100kgf)
LCM13K200	2kN(200kgf)
LCM13K300	3kN(300kgf)
LCM13K500	5kN(500kgf)
LCM13T001	10kN(1tf)
LCM13T002	20kN(2tf)
LCM13T003	30kN(3tf)
LCM13T005	50kN(5tf)

Specifications

Rated Output	2mV/V±0.1%
Maximum Safe Overload	150% of R.C.
Combined Error	0.03% of R.O.
Recommended Excitation Voltage	DC5 to 12V
Maximum Excitation Voltage	DC15V
Zero Balance	±1% of R.O.
Input Terminal Resistance	Approximately 380Ω±20Ω
Output Terminal Resistance	350Ω±3.5Ω
Insulation Resistance	Greater than 5,000MΩ at DC50V
Operating Temperature	-15°C to 60°C
Compensated Temperature Range	-10°C to 40°C
Temperature Effect	Zero : 0.016% of R.O./10°C Typ. Span : 0.013% of Load/10°C Typ.
Cable Length	3m/118 inches
Dustproof/Waterproof	IP67

Accessory

Swivel Foot LCZAFT01S

Stainless steel body

Only for LCM13K500 (500kgf)
and LCM13T001(1tf)



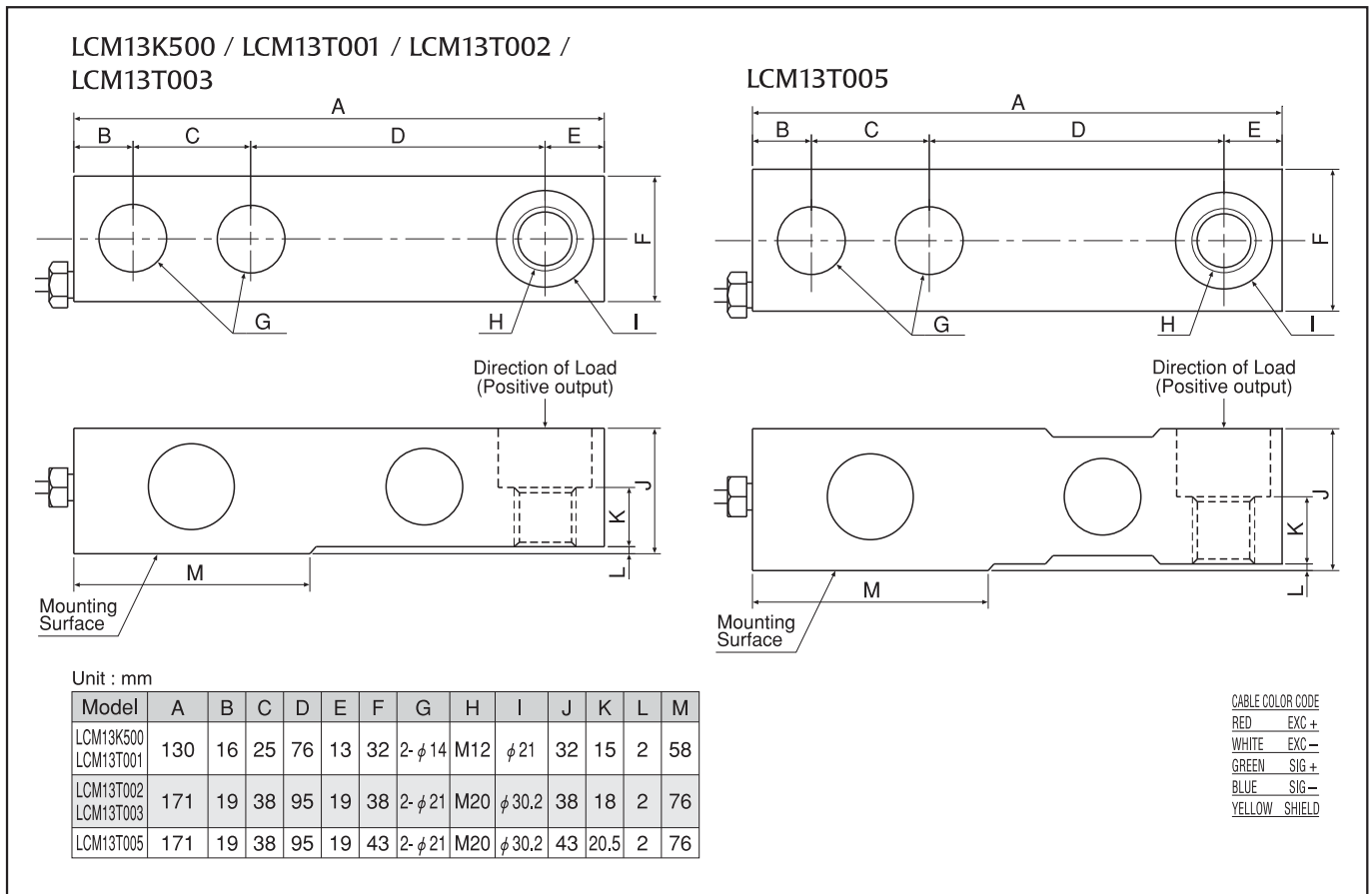
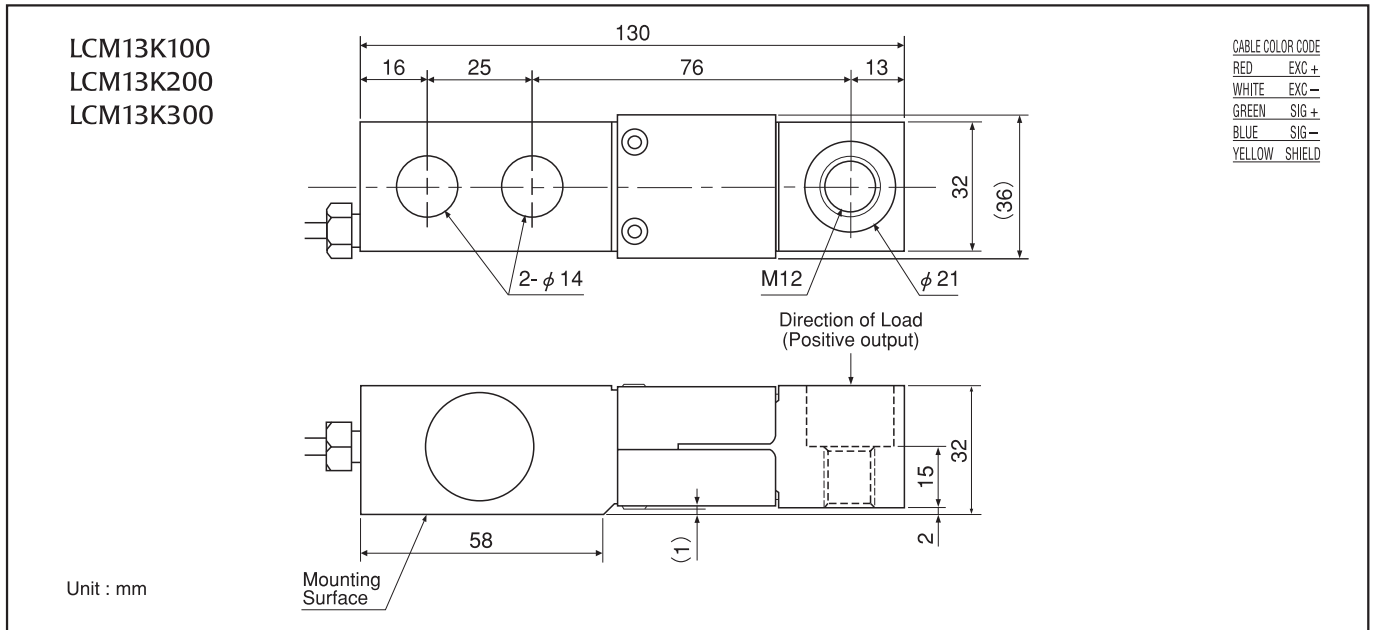
A&D

A&D Company, Limited
<http://www.aandd.jp>

...Clearly a Better Value

LCM13 Series

Dimensions



Specifications are subject to change for improvement without notice.

A&D

... Clearly a Better Value

A&D Company, Limited

3-23-14 Higashi-Ikebukuro, Toshima-ku, Tokyo 170-0013 JAPAN
Telephone: [81] (3) 5391-6132 Fax: [81] (3) 5391-6148
<http://www.aandd.jp>

A&D ENGINEERING, INC.

1555 McCandless Drive, Milpitas, CA. 95035 U.S.A.
Telephone: [1] (408) 263-5333 Fax: [1] (408) 263-0119

A&D MERCURY PTY. LTD.

32 Dew Street, Thebarton, South Australia 5031 AUSTRALIA
Telephone: [61] (8) 8301-8100 Fax: [61] (8) 8352-7409

A&D INSTRUMENTS LTD.

Unit 24/26 Blacklands Way Abingdon Business Park,
Abingdon, Oxon OX14 1DY United Kingdom
Telephone: [44] (1235) 550420 Fax: [44] (1235) 550485

< German Sales Office >

Große Straße 13 b 22926 Ahrensburg, GERMANY
Telephone: [49] (0) 4102 459230 Fax: [49] (0) 4102 459231

A&D KOREA Limited

Manhattan Bldg. 8F, 36-2 Yoido-dong, Youngdeungpo-gu, Seoul, KOREA
Telephone: [82] (2) 780-4101 Fax: [82] (2) 782-4280

A&D RUS CO., LTD.

Korp.134A, D.29, UL. Vereiskaya, Moscow, 121357
RUSSIAN FEDERATION
Telephone: [7] (495) 727-4455 Fax: [7] (495) 727-4456