

**Flameproof enclosure
Stainless Steel**

Flameproof enclosure beam load cells

LCM17 Series

★ **Flameproof enclosure stainless steel beam load cells for platform, tank or hopper scales**

Suitable for use in harsh environments where flammable hazardous substances are handled and corrosion resistance is required.

Suitable for platform or tank scales. For both tension and compression applications.



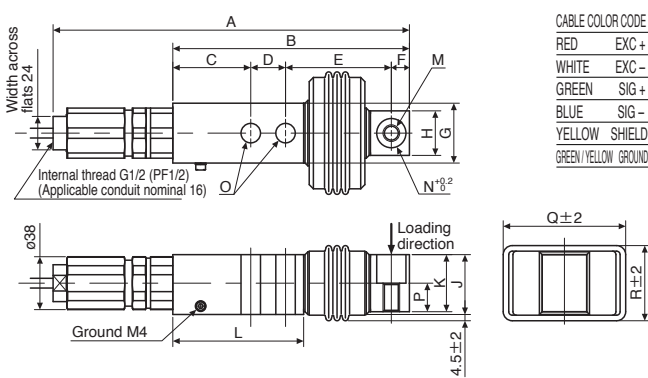
Models & Capacities

Model No.	Capacity
LCM17K100E	102kg (1kN)
LCM17K200E	204kg (2kN)
LCM17K300E	306kg (3kN)
LCM17K500E	510kg (5kN)
LCM17T001E	1.02t (10kN)
LCM17T002E	2.04t (20kN)

Specifications

Rated output	1.0 mV/V±0.1% (For 1kN only, 0.5 mV/V±0.1%)
Safe load limit	150% of R.C.
Combined error	0.03% of R.O.
Recommended excitation voltage	DC5 to 12V
Maximum excitation voltage	DC15V
Zero balance	±2% of R.O.
Input terminal resistance	390±30Ω
Output terminal resistance	350±5Ω
Insulation resistance	5000MΩ or higher/DC50V
Compensated temperature range	-10°C to 40°C
Temperature effect on	
Zero balance	0.028% of R.O./10°C
Span	0.011% of Load/10°C Typ.
Cable diameter/length	ø7/5m
Dustproof/waterproof	IP54
Flameproof type	Exd II BT4

LCM17 Series Dimensions



Model No.	A	B	C	D	E	F	G	H	J	K	L	M	N	O	P	Q	R	Net Weight(kg)	
LCM17K100E																			
LCM17K200E																			
LCM17K300E	(256)	170	56	25	76	13	43	32	43	41	94	M12	ø21	ø14	20.5	88	54	2.8	
LCM17K500E																			
LCM17T001E																			
LCM17T002E	(298)	212	60	38	95	19	48	38	48	46	117	M20	ø30.2	ø21	23	94	59	3.9	

Unit = mm

Appearance and/or specifications subject to change for improvement without notice.

A&D

...Clearly a Better Value

A&D Company, Limited

3-23-14 Higashi-Ikebukuro, Toshima-ku, Tokyo 170-0013 JAPAN
Telephone: [81] (3) 5391-6132 Fax: [81] (3) 5391-6148
http://www.aandd.jp

A&D Engineering, Inc.

1756 Automation Parkway, San Jose, CA 95131 U.S.A.
Telephone: [1] (408) 263-5333 Fax: [1] (408) 263-0119

A&D Australasia Pty Ltd.

32 Dew Street, Thebarton, South Australia 5031 AUSTRALIA
Telephone: [61] (8) 8301-8100 Fax: [61] (8) 8352-7409

A&D Instruments Ltd.

Unit 24/26 Blacklands Way Abingdon Business Park,
Abingdon, Oxon OX14 1DY UNITED KINGDOM
Telephone: [44] (1235) 550420 Fax: [44] (1235) 550485
(German Sales Office)

Hamburger Straße 30 D-22926 Ahrensburg, GERMANY
Telephone: [49] (0) 4102 459230 Fax: [49] (0) 4102 459231

A&D Korea Limited

Manhattan Bldg. 8F, 36-2 Yoido-dong, Youngdeungpo-gu,
Seoul, KOREA
Telephone: [82] (2) 780-4101 Fax: [82] (2) 782-4280

A&D RUS Co., Ltd.

Vereyskaya str.17, Moscow, 121357 RUSSIA,
Telephone: [7] (495) 937-33-44 Fax: [7] (495) 937-55-66

A&D Instruments India Private Limited

509 Udyog Vihar Phase V Gurgaon-122 016,
Haryana, INDIA
Telephone: [91] (124) 471-5555 Fax: [91] (124) 471-5599

* LCM17-ADCC-01-NA1-10a03